

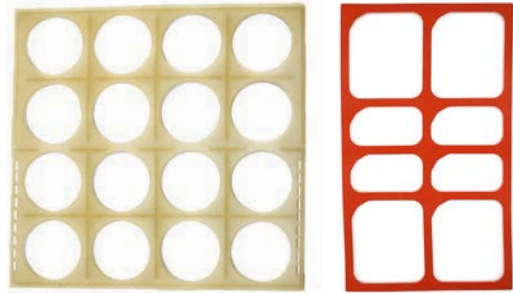
INTER-TECH

YOUR TRUSTED PARTNER IN PACKAGING EXCELLENCE

2026 CATALOG

40TH
ANNIVERSARY

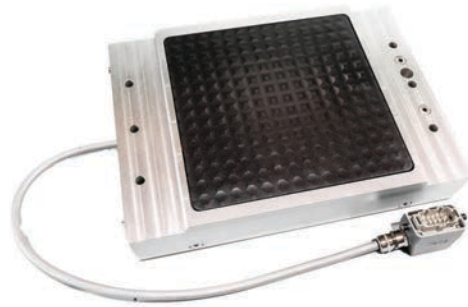
SEALING GASKETS



REPLACEMENT PARTS



TOOLING REPAIR SERVICES



TOOLING FABRICATION



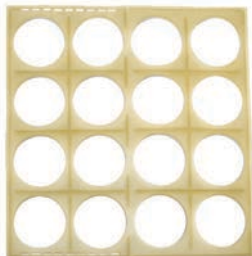
SHORT LEAD TIMES ON GASKET ORDERS!

- NO MOLD CHARGE ON MOST NEW GASKETS
- SEND US A NEW OR USED SAMPLE FOR QUOTE

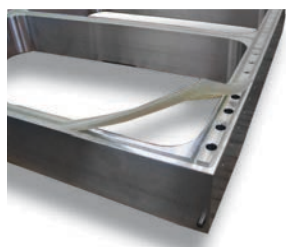
Inter-Tech Supplies is your answer to an independent and reliable source for American-made Gold Seal™ silicone sealing gaskets for your packaging equipment. With more than 10,000 gasket molds in stock, we can create virtually any sealing application. Need a new gasket configuration? Get a [FREE QUOTE](#) today.

VARIOUS GASKET CONFIGURATIONS

FORM, FILL & SEAL



PUSH-IN T-PROFILE



TRAY GASKETS



CUSTOM COLORS & DUROMETERS



BLISTER GASKETS



T-PROFILE & BACKINGSTRIPS



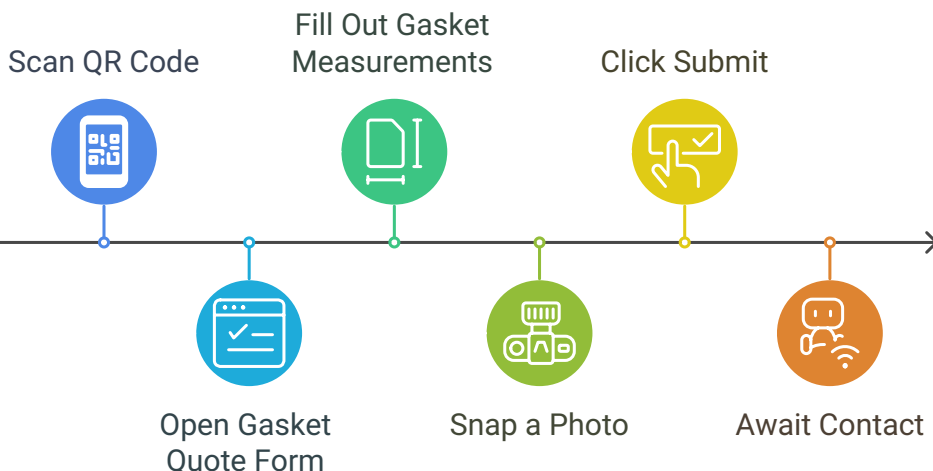
CUSTOM SILICONE PARTS



CUSTOM PROFILES



YOU WILL LOVE OUR QUALITY - QUOTE TODAY



NEED A BUDGETARY QUOTE TO COMPARE PRICING?

1. Scan the QR CODE to access our gasket quote form.
2. Enter a few measurements,
3. Upload a photo, and submit
4. Our team will follow up soon!





In-House Tooling Repair and Teflon Coating

With nearly 40 years of expertise, Inter-Tech provides fast, high-quality seal plate repair and Teflon refurbishing to keep your thermoforming equipment running at peak performance.



Damaged Plate



Sandblasted



Teflon Coated

Send us your seal plates today for expert repair and Teflon refurbishing—minimize downtime with our **fast turnaround times!**

What Does a Repair Include?

Our overhaul and refurbishing services for heating and sealing plates across a broad spectrum of packaging machinery. Our comprehensive repairs are designed to meet the needs of any packaging operation - ensuring that all work meets or exceeds OEM standards.

Our standard seal plate overhaul package includes:

- Thorough Cleaning
- Welding – as necessary
- Machining – as necessary
- Teflon™ coating with fast turnaround
- Installation of new heating elements – includes thermocouple and wiring
- All Repairs are bench-tested before shipping

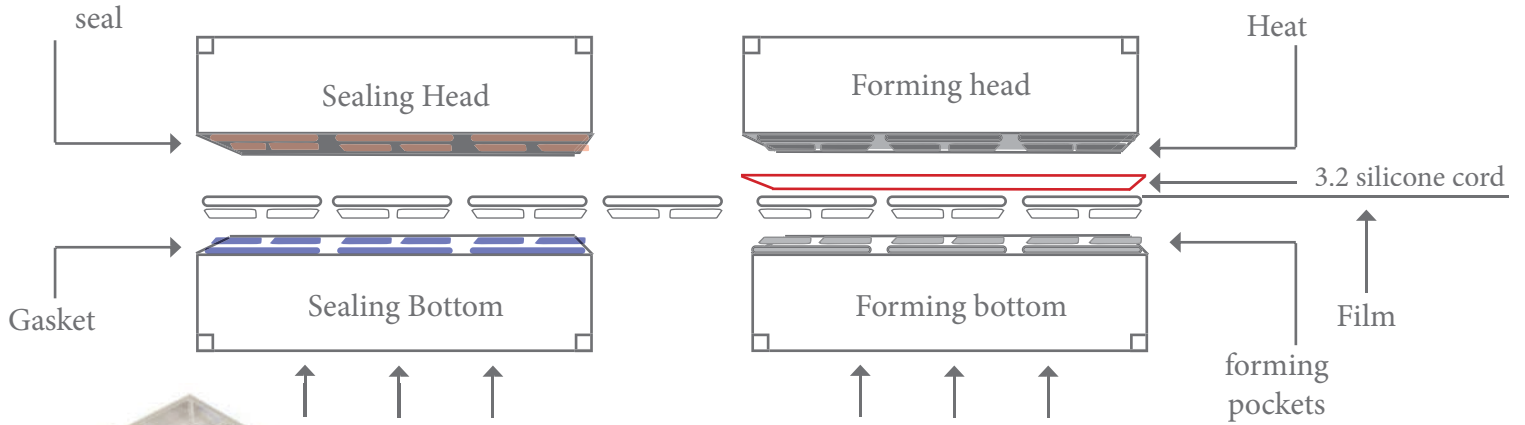


INTER-TECH

SERVING THE FOOD PACKAGING INDUSTRY SINCE 1986

www.inter-techsupplies.com

CALL TODAY
1-800-722-7761
FREE QUOTE



Complete Divider Set

Seal Grid



Perimeter Seal Plates

Total Seal Plates

Forming Dies



G10

or

Teflon-coated aluminum



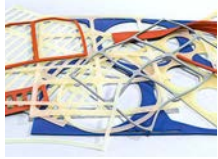
INTER-TECH

SERVING THE FOOD PACKAGING INDUSTRY SINCE 1986

www.inter-techsupplies.com

CALL TODAY
1-800-722-7761
FREE QUOTE

Silicone Sealing Gaskets



- Specialty
- Rollstock Application
- Blister Packs
- Tray Seals
- Backing Strips
- Anvils
- Custom Configuration
- T-Strips

Replacement Parts



- Gripper Chains
- Sprockets
- Bearings
- Springs
- Hardware
- Filters
- Gaskets
- Belts
- Shafts
- Bushings

Knife Assemblies & Parts



- Assemblies
- Cross cut chain
- Master Link
- Gear Racks
- Knobs
- Clamps
- Hose
- Sprockets
- Knife Bodies
- Bushings

OEM Gripper Chain



- K Style Clamp
- Standard Clamp
- Hygiene Chain
- Cam Sprockets
- Replacement Links
- Spring Clips
- Wire Clips
- Hygiene Spring
- Custom Lengths
- Drive Chains

Electronic Parts



- Heaters
- Thermocouples
- Switches
- Relays
- Breakers
- Connectors

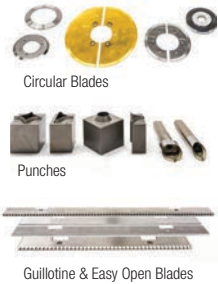
Pneumatic Parts



Bladders

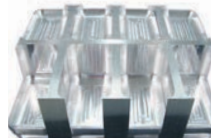
- Valves
- Repair kits
- Regulators
- Gauges
- Pressure Switches
- Hose
- Fittings
- Mufflers
- Filters
- Wire

Knife Blades & Punches



- Cross Cut
- Guillotine
- Easy Open
- Flying Knife
- Circular Knife
- Rotary Knife
- Squeezing Knife
- Steel Rule
- Corner Rounding
- Serrated Blade

Custom Components



Custom Divider Sets

- Seal Plates
- Sealing Bottoms
- Die Bottoms
- Custom Blades
- Bladders
- Heaters
- Trim Removal Unit
- Divider Sets
- Special Inserts
- Seal Plates
- Teflon Coating

Busch Pumps and Parts



- Complete Pumps
- Cylinders
- Screws
- O-Rings
- Rotors
- Filters
- Threaded Pins
- Retaining Rings
- Fans
- Springs
- Bearings

Service & Repairs



- Custom Gaskets
- Seal Plates
- Divider Sets
- Teflon Coating
- Motor Rebuilds
- Pump Repairs
- Heating Plate Overhaul

802 East Fairmont Street

Allentown, PA 18109

Phone: 800-722-7761

Fax: 610-435-5999

Email: info@inter-techsupplies.com

Web: www.inter-techsupplies.com

Scan the QR code to
see our parts catalog
Enter: ITS802E






PRODUCT FEATURES

- All chains are available in nickel plated or CR-NI austenitic stainless steel construction
- (AISI 302-304) *Excellent corrosion resistance.*
- Improved clamp design increases film retention and smooth operation.
- Supplied in pre-stretched and matched strands for trouble-free machine set-up.
- Special lubrication applied at the factory, FDA H1 food-approved grease, and improved corrosion resistance.

5/8" GRIPPER CHAIN

The 5/8" K-chain comes in two spring designs: **round** and **square-hygienic**. The K-style design allows for vertical movement and side rotation, making film engagement and scrap release easy. The square-hygienic spring is especially suited for wash down applications due to its design. 



P31666
5/8" Spring

5/8" Round Spring
Nickel Plated

P31711



P31666
5/8" Spring

5/8" K-Round Spring
Stainless Steel

P32407



P31666
5/8" Spring

5/8" K-Square Spring
Stainless Steel

P32851



P32853
5/8" Spring

5/8" K-Square Spring
Nickel Plated

P33345



P31736
Masterlink

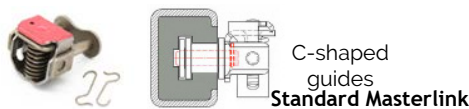


P32411
Masterlink

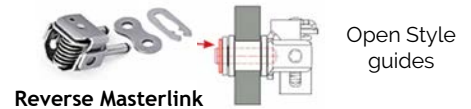


P32852
Masterlink

P31711	19.541.2100.00 GRIPPER CHAIN 5/8" K-STYLE - NICKEL PLATED W/ STAINLESS ATTACHMENTS (136TFK)
P32407	19.541.2700.** (108322603) GRIPPER CHAIN 5/8" STAINLESS K-STYLE WITH ROUND SPRING (SS136TFK)
P32851	19.541.2700.** (105289210) HYGIENIC GRIPPER CHAIN 5/8" STAINLESS K-STYLE W/SQUARE SPRING (SS136TFKQ)
P33345	19.541.2700.** (105649768) GRIPPER CHAIN 5/8" NICKEL-PLATED K-STYLE W/SQUARE SPRING (136TFKQ)



Check Chain Guides for Masterlink Compatibility



MASTER LINKS & SPRINGS FOR GRIPPER CHAIN

P31736	MASTER LINK FOR 5/8" K-CHAIN (NICKEL-PLATED) (26/136TFK)
P32411	MASTER LINK FOR 5/8" STAINLESS K-CHAIN (ROUND SPRING) (26/SS136TFK)
P32852	MASTER LINK FOR 5/8" STAINLESS K-CHAIN (SQUARE SPRING) (26/SS136TFKQ)
P33350	MASTER LINK (REVERSED TYPE) 5/8" NICKEL-PLATED K-CHAIN (SQUARE SPRING)(FOR OPEN GUIDES) (26R/136TFKQ)
P33344	MASTER LINK (REVERSED TYPE) 5/8" STAINLESS K-CHAIN (SQUARE SPRING- P32851) (FOR OPEN GUIDES). (26R/SS136TFKQ)
P31666	19.781.0809.00 GRIPPER SPRING FOR 5/8" K-CHAIN (ML049)
P32853	19.781.0809.** SQUARE GRIPPER SPRING FOR HYGIENIC 5/8IN K-CHAIN (ML053)

2 FREE MASTERLINKS WITH EVERY CHAIN ORDER!

CAM SPROCKETS FOR 5/8" K STYLE CHAIN

P31884	SPROCKET - 11521814063 MAIN DRIVE FOR 5/8" K-CHAIN (28 TOOTH) 40 MM BORE
P31884-30	SPROCKET - 11621014006 MAIN DRIVE FOR 5/8" K-CHAIN (28 TOOTH) 30 MM BORE
P32310-1	SPROCKET -11.538.8142.13 -14 TOOTH GRIPPER OPENER (GS88)
P32313	21 TOOTH FOR AT5 BELT DRIVE (GS174 FOR136TFK)
P32386	IN FEED SPROCKET W/ CUT-OFF TEETH (GS106)
P32387	<ul style="list-style-type: none"> 21 SPROCKET FOR 5/8" K-CHAIN (GS140-A) EXIT END WITH NO GEARS
P33317	17 TOOTH CHAIN DRIVE SPROCKET (GS160)



P31884



P32310



P32313



P32386



P32387



P33317

1/2" GRIPPER CHAIN

1/2" Standard and 1/2" K-chain both come with a round spring and are available in nickel-plated or

 1/2" Standard Spring Heavy Duty -Nickle Plated  P30107 Masterlink	 1/2" Standard Spring Stainless Steel  P30107 Masterlink	 1/2" K-Chain Nickle Plated  P31741 Masterlink	 1/2" K Spring Stainless Steel  P31741 Masterlink
P30100	P32489	P31740	P32748

P30100	19.541.1119.75 GRIPPER CHAIN COMPLETE (1/2IN STANDARD). HD SPRING (126TFNC)
P32489	19.541.1119.** GRIPPER CHAIN COMPLETE (1/2IN HEAVY DUTY STANDARD) STAINLESS (SS126TFK)
P31740	19.541.3100.00 (10684050) TRANSPORT CHAIN COMPLETE (1/2IN K-CHAIN) NICKEL PLATED W/ STAINLESS ATTACHMENT (126TFK)
P32748	19.541.3100.** TRANSPORT CHAIN COMPLETE (1/2IN K-CHAIN) STAINLESS W/ STAINLESS ATTACHEMENTS (SS126TFK)

MASTER LINKS & SPRINGS FOR GRIPPER CHAIN

P30107	MASTER LINK FOR 1/2" STANDARD TRANSPORT CHAIN (126TFNC-001)	<div style="background-color: red; color: white; padding: 5px; text-align: center;"> 2 FREE MASTERLINKS WITH EVERY CHAIN ORDER! </div>
P31741	MASTER LINK FOR 1/2" K-CHAIN (NICKEL-PLATED) (126TFK)	
P32749	MASTER LINK FOR 1/2" STAINLESS K-CHAIN (SS126TFK)	
P30109	SPRING - 19.781.1008.00 FOR 1/2IN STANDARD GRIPPER CHAIN (ML018)	
P31742	SPRING - 19.781.1109.30 FOR 1/2IN K-CHAIN (ML050)	

TOOL FOR GRIPPER
CHAIN SPRING
(1/2" STANDARD CHAIN)



P31538



TOOL FOR GRIPPER
CHAIN SPRING
(1/2" & 5/8" K-CHAIN)

P32626

GRIPPER SPROCKETS FOR 1/2" CHAIN

P30148	SINGLE ROW FOR GRIPPER CHAIN WITH BEARING AND SNAP RING - 11.438.1416.00
P30156	SPROCKET-SINGLE ROW FOR GRIPPER CHAIN WITH BEARING AND SNAP RING -11.438.8310.00
P30359	CHAIN SPROCKET (MAIN DRIVE 35 TOOTH) - 11.521.8140.13
P30362	SPROCKET - MAIN 70 TOOTH - 11.521.8140.23
P30996	SPROCKETS FOR MAIN DRIVE FOR M855 SERIES ONLY (35 TOOTH) - 11.521.8140.53
P30998	<ul style="list-style-type: none"> • 17 T ST-RC SPROCKET SINGLE ROW GRIPPER CHAIN. • WIDE GROOVE FOR ONE WAY CLUTCH
P32119	<ul style="list-style-type: none"> • SPROCKET - MAIN DRIVE FOR 1/2" K-CHAIN • 40 TOOTH DOUBLE WITH 35 TOOTH DRIVE WITH 40MM BORE
P32311	SPROCKET FOR 1/2" K-CHAIN - 17 TOOTH GRIPPER OPENER



P30148



P30156



P30359



P30362



P30996



P30998



P32119



P32311



P32431

PRODUCT SUGGESTIONS



Make and Model

Understanding the specific make and model is vital for determining the correct gripper chain.



Washdown Requirement

If your equipment is washdown, we highly recommend our Hygienic or Stainless Steel Gripper Chain.



Measurement Tip

Calculate:
Length of Chain - Measure Length of the deck of your machine x 2 + 6 feet for the drive.

INTER-TECH

SERVING THE FOOD PACKAGING INDUSTRY SINCE 1986

www.inter-techsupplies.com

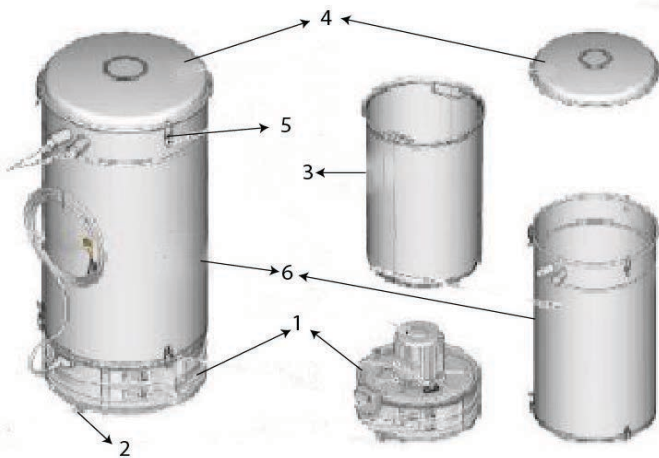
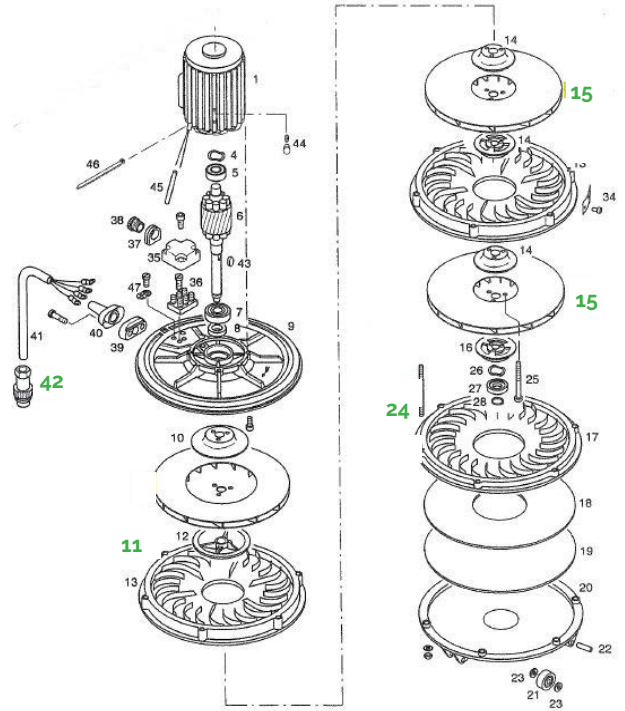
CALL TODAY
1-800-722-7761
FREE QUOTE

Trim Removal Unit

SAFELY AND EFFICIENTLY MANAGE SCRAP FILM FROM YOUR THERMOFORMER

TRIM REMOVAL UNIT - COMPLETE **PART # P31079**

GERMAN ENGINEERED FOR EFFICIENT HANDLING OF FILM TRIM WASTE



ITS PARTS AVAILABLE

Ref #	Description	Part #
1	Base Motor Unit	P31785
2	Castor Wheels	P30874
3	Inner Basket	P31072
4	Trim Removal Lid	P30199
5	Clasp	P30639
6	S.S. Outer Shell	P31774
7	Trim Unit Gasket	P31092
8	NEW DELUXE LID - UPGRADE	P33103

REPLACEMENT ITS MOTOR PARTS

Ref #	Description	Part #
42	Plug -Male 4 pin	P30302
11	Impeller large center	P31146
15	Impeller Small center - 2 Required	P31147
24	Threaded Bolt for Base	P31216

OTHER MOTOR PARTS AVAILABLE UPON REQUEST

INCLUDES 2 LENGTHS OF VACUUM HOSE
CUSTOM LENGTHS AVAILABLE!

PART # P30188



PART # P33103



No More Cracked Lids!

Upgrade to our new durable Lexan/
polycarbonite lid with snug-fit gasket
and hygienic handle.

Vacuum Trim Conversion Kit

COMPATIBLE WITH OUR TRIM REMOVAL UNIT

CUT THE SCRAP! SAVE TIME AND PREVENT THE MESS



New Improved Lexan Lid
with hygienic handle

SWITCH TO OUR VENTED **SPEED** POLY BAGS

Replace the inner can with our strong-weight vented Poly bag 100/rl



TRIM CONVERSION KIT

PART # P32650

Kit Includes

- Motor shroud
- Roll of Bags (P32645)
- Lid for Trim Conversion
- Collar for Trim Conversion
- Handle
- Spacer
- Elbow
- Foot
- Plug for Canister
- Motor Shroud Gasket
- Washers and Nuts

* **CONVERSION KIT DOES NOT INCLUDE:**
stainless steel drum, base or motor

FEATURES

- Fits existing OEM upright unit
- Converts #P31079 to a bag system
- Replaces the inner can for tidier changeover
- Stainless steel motor shroud prevents rust
- Installs in seconds!

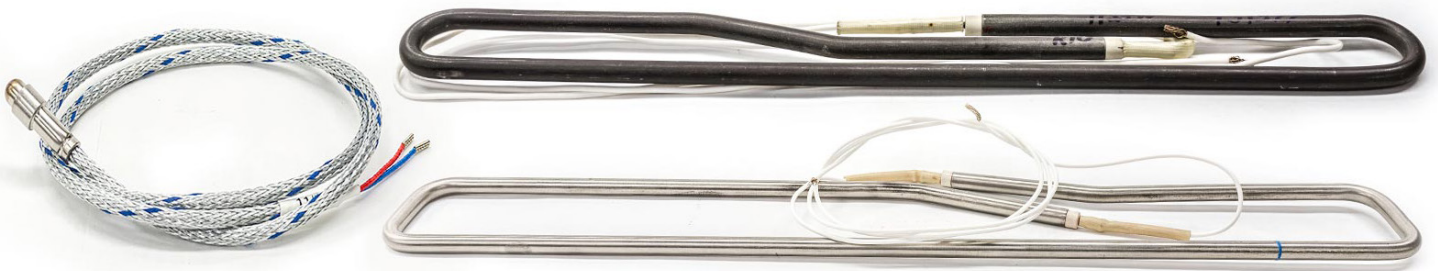


Scan here to see video

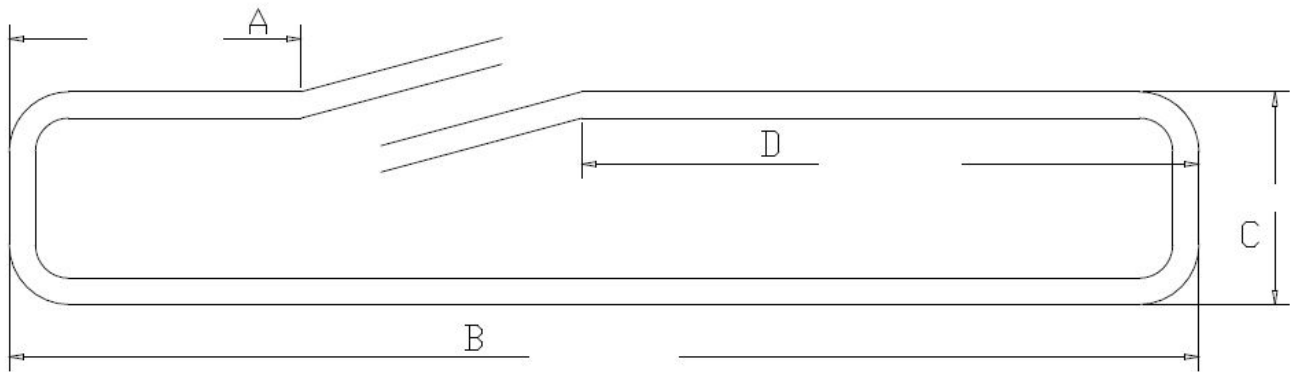
LOOKING FOR REPLACEMENT TUBULAR HEATERS?

- SEARCH OUR NEW WEBSITE BY OEM #
- SEND US A NEW OR USED SAMPLE FOR QUOTE

Inter-Tech Supplies is your answer to an independent and reliable source for American-made replacement bent rod heaters for your Multivac Form, fill and seal Packaging Equipment.



NOW AVAILABLE ON OUR WEBSITE - QUOTE TODAY



SEARCH OUR NEW WEBSITE BY OEM #
inter-techsupplies.com

No Part Number? No Problem.
Scan the QR code to fill out our quote form.

GET A QUOTE FAST!

1. Scan the QR CODE
2. Enter a OEM NUMBER
3. Find Your Match
4. Click Request Quote



QUOTE FORM

1. Scan the QR CODE
2. Enter a Dimensions
3. Hit Submit



Circular Blades



Cross Cut Blades



Tray Knives



Squeezing Knife Blades



Shear Cut



Slitter Blade



Anvils



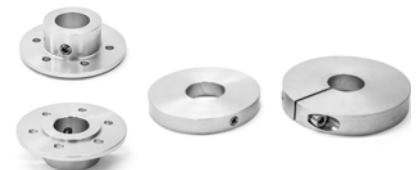
Knife Blades Assemblies



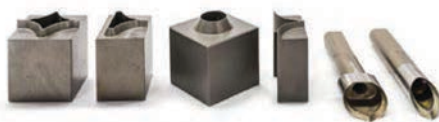
CROSS-CUT

GUILLOTINE

Hubs and Collars



Punches



Steel Rule Blades



Evacuation Blades

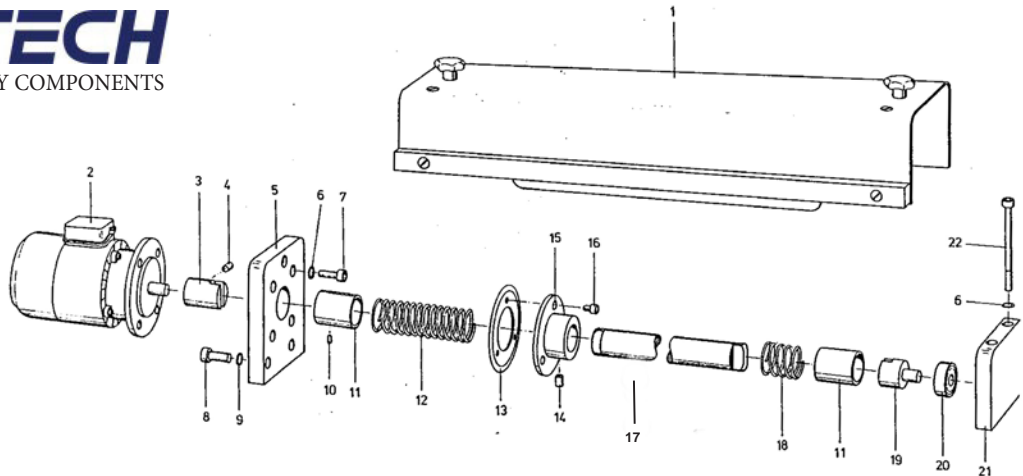


Guillotine and EZ-Open Blades



WE SELL COMPONENTS FOR YOUR CIRCULAR KNIFE ASSEMBLY

INTER-TECH
CIRCULAR KNIFE ASSEMBLY COMPONENTS



	Description	Inter-Tech Part #	Multivac Part #
1	Knife Safety Guard	Provide Length or web width	11.451.8140.*3
2	MOTOR FOR ROTARY KNIFE	P30513 or P30674	85.821.1160.50
3	DRIVE COUPLER (AVAILABLE IN MULTIPLE LENGTHS)	P30301 (34mm) P30681 (52mm)	11.551.9560.00
4	SET SCREW	DIN916 M8X6	75.054.0804.02
5	BEARING PLATE (VARIOUS CONFIGURATIONS AVAILABLE)	Provide configuration	11.*51.*6*0.*0
6	LOCK WASHER M5	DIN 127 M5	75.210.0716.05
7	BOLT (Specify Length)	DIN912 M5 X?	75.010.1227.02
8	SOCKET HEAD CAP SCREW (S.S.)	DIN912 M8X20	
9	LOCK WASHER M8	DIN127 M8	75.210.0716.05
10	SET SCREW M4 X 10	DIN916 M4X10	75.052.0408.02
11	KNURLED COUPLER	P30285	11.551.9340.00
12	COMPRESSION SPRING (LONG)	P30335	19.781.2029.00
13	BLADE - CIRCULAR W/ 3-HOLES	P30235	79.915.2009.00
14	SET SCREW (S.S.)	DIN916 M8X8	75.054.0806.02
15	HUB FOR CIRCULAR KNIFE	P30278	11.551.9310.00
16	HEAD SCREW	DIN84 M5X6	75.015.0504.14

	Description	Inter-Tech Part #	Multivac Part #
17	Knife Shaft - Provide Length in mm.	P30368 (320ww) P30346 (420ww)	11.451.8105.*3
18	COMPRESSION SPRING (SHORT)	P30336	19.781.2029.10
19	IDLER COUPLER	P30290	11.551.9561.00
20	FRONT BEARING	P30377	11.451.8150.03
21	MOUNTING PLATE	P30723	11.551.9625.00
22	BOLT	DIN912M6X80	75.010.0627.02

Inter-Tech Supplies, Inc.

P: 1-800-722-7761

E: sales@inter-techsupplies.com

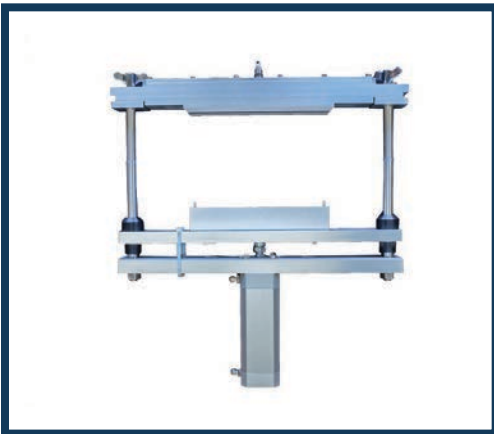
A: 802 E. Fairmont Street

Allentown, PA 18109

www.inter-techsupplies.com

Multivac™ is a registered trademark of Multivac Sepp Haggenmuller

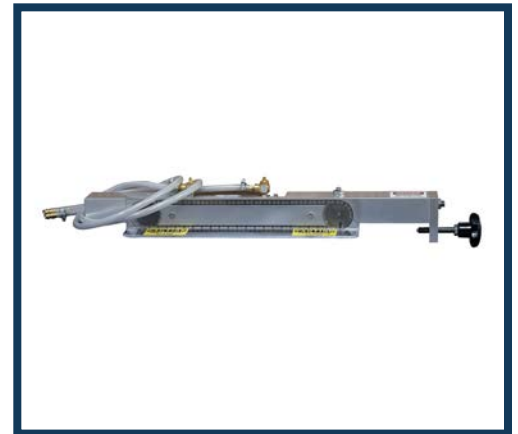
Other Assembly Items



ORP Guillotine



UV-4 Valve Assembly



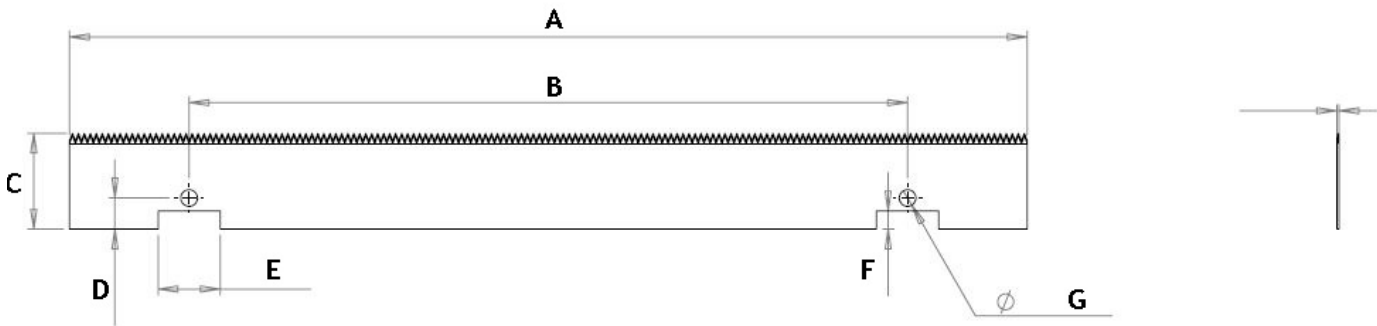
Cross Cut Knife Assembly

Guillotine and EZ-Open Blades

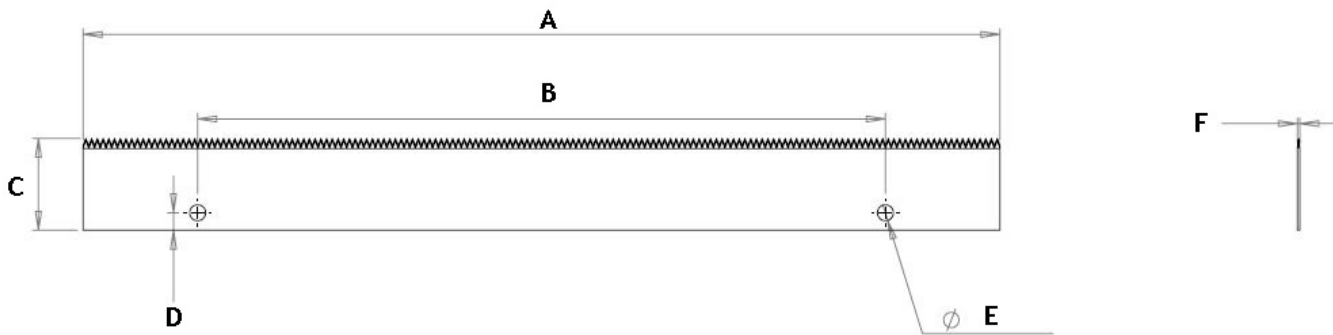


For custom guillotine and E-Z Open blades, please provide a sample to the address below, or Scan the **QR CODE** at the bottom of the page with your smartphone's camera to complete the blade quote form.

Guillotine Blade - Notches



Guillotine Blade - No Notches



SCAN HERE

SEND BLADE SAMPLES FOR QUOTE TO:

Inter-Tech Supplies
802 E. Fairmont St.
Allentown, PA 18109